



## PA Series

### Variable Area Flowmeter

- 전원 장치 없이 사용하는 현장 지시 유량계
- 작은 공간에 적합하도록 디자인 되어 일반 공장 배관 라인 및 판넬 등 쉽게 취부 가능
- 유체의 순간 흐름 쉽게 확인 가능 (거품, 색상 등)

## PA-10 Series General Specifications

Size	1/2" ~ 3/4"
Process Connection	PT, NPT (Female)
Flow Ranges	Water - 10 L/h ~ 2,500 L/h Air - 250 NL/h ~ 30,000 NL/h
Range Ability	10 : 1
Accuracy	±2.0 % F.S (Option ±1.0 % F.S)
Fluid Temperature	Max. 120 °C
Max. Pressure	Max. 10 kgf/cm <sup>2</sup> .G

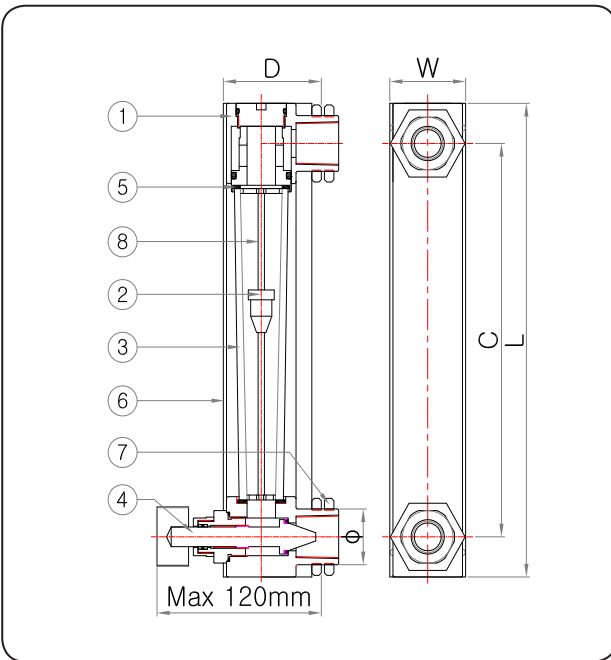
## MODEL CODE

PA-10	-	<input type="checkbox"/>	Specification
		A	Alarm switch

## STANDARD MATERIAL

No.	Description	Material		
		A	B	C
1	Body	304SS	316SS	PVC
2	Float	304SS PTFE PVC	316SS PTFE	PVC
3	Taper tube	PYREX GLASS		
4	Needle Valve	304SS	316SS	PVC
5	Packing	NBR, PTFE, FPM		EPDM
6	Cover	ACRYL		
7	Mounting Nut	BRASS		
8	Guide bar	304SS	316SS	PTFE LINER

## STRUCTURAL DRAWING



## DIMENSIONS

치수 (mm)				
L	C	W	D	Ø
290	240	50	49	34

## FLOW RANGES

표준사양		특수사양	
Water (L/h)	Air (NL/h)	Water (L/h)	Air (NL/h)
16 - 160	400 - 4000	10 - 100	250 - 2500
20 - 250	600 - 6000		
40 - 400	1000 - 10000	250 - 2500	3000 - 30000
100 - 1000	1600 - 16000		

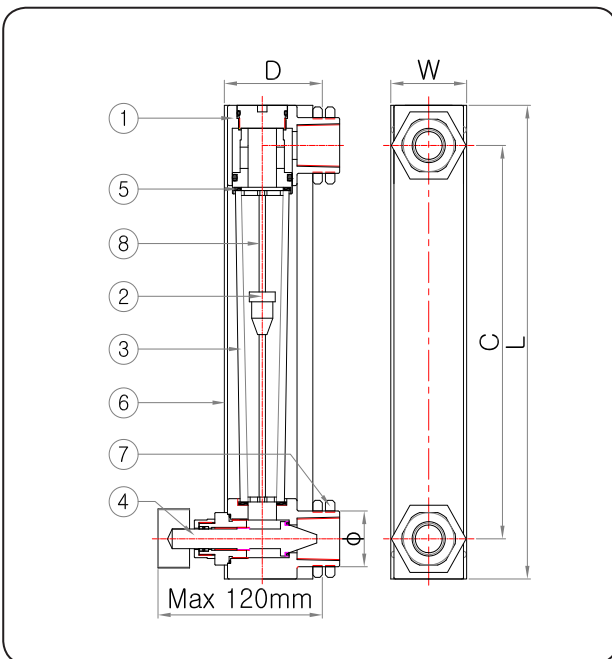
## PA-20 Series General Specifications

Size	1/4" ~ 1/2"
Process Connection	PT, NPT (Female)
Flow Ranges	Water - 0.6 L/h ~ 700 L/h Air - 10 NL/h ~ 8,000 NL/h
Range Ability	10 : 1
Accuracy	±2.0 % F.S (Option ±1.0 % F.S)
Fluid Temperature	Max. 120 °C
Max. Pressure	Max. 10 kgf/cm2.G

## MODEL CODE

PA-20	-	<input type="checkbox"/>	Specification
		A	Alarm switch

## STRUCTURAL DRAWING



## DIMENSIONS

치수 (mm)				
L	C	W	D	Ø
240	200	40	40	26

## STANDARD MATERIAL

No.	Description	Material		
		A	B	C
1	Body	304SS	316SS	PVC
2	Float	304SS PTFE PVC	316SS PTFE	PVC
3	Taper tube	PYREX GLASS		
4	Needle Valve	304SS	316SS	PVC
5	Packing	NBR, PTFE, FPM		EPDM
6	Cover	ACRYL		
7	Mounting Nut	BRASS		
8	Guide bar	304SS	316SS	PTFE LINER

## FLOW RANGES

표준사양		특수사양	
Water (L/h)	Air (NL/h)	Water (L/h)	Air (NL/h)
1 - 10	16 - 160	0.6 - 6	10 - 100
1.6 - 16	25 - 250		
4 - 40	40 - 400		
6 - 60	100 - 1000	70 - 700	800 - 8000
10 - 100	160 - 1600		
16 - 160	250 - 2500		

## PA-30 Series General Specifications

Size	3/8" ~ 1"
Process Connection	PT(F)
Flow Ranges	Water - 0.3 L/min ~ 100 L/min
Range Ability	10 : 1
Accuracy	±2.0 % F.S
Fluid Temperature	Max. 120 °C
Max. Pressure	Max. 10 kgf/cm2.G

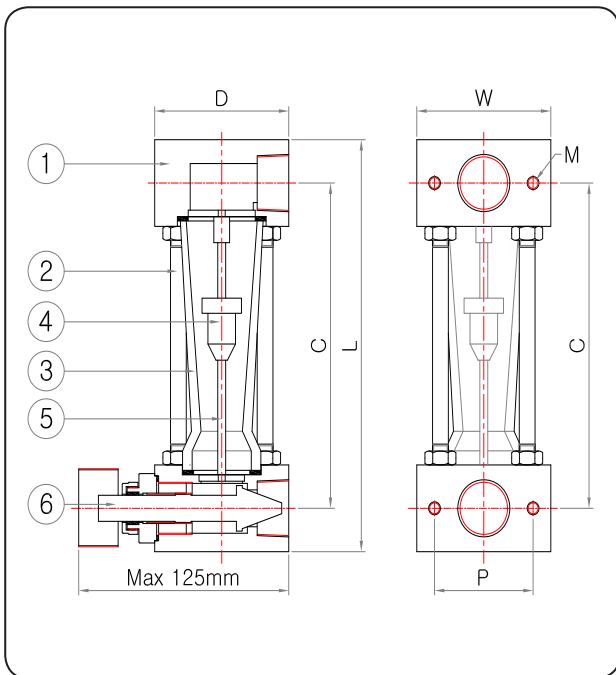
## MODEL CODE

PA-30	-	□	Specification
		S	304SS or 316SS
		P	PVC or CPVC
		T	PTFE

## STANDARD MATERIAL

No.	Description	Material		
		S	P	T
1	Body	304SS	PVC	PTFE
2	Support bar	304SS		
3	Taper tube	PYERX GLASS		
4	Float	304SS	PVC	PTFE
5	Guide bar			PTFE LINER
6	Valve			PTFE

## STRUCTURAL DRAWING



## FLOW RANGES & DIMENSIONS

Size		Water	Air	Length (mm)				
		L/min	NL/min	L	C	D	W	P
15A	1/2B	2 - 50	100 - 1000	190	150	68	68	50
20A	3/4B	4 - 80						
25A	1B	5 - 100	140 - 1400	210	160	68	68	50

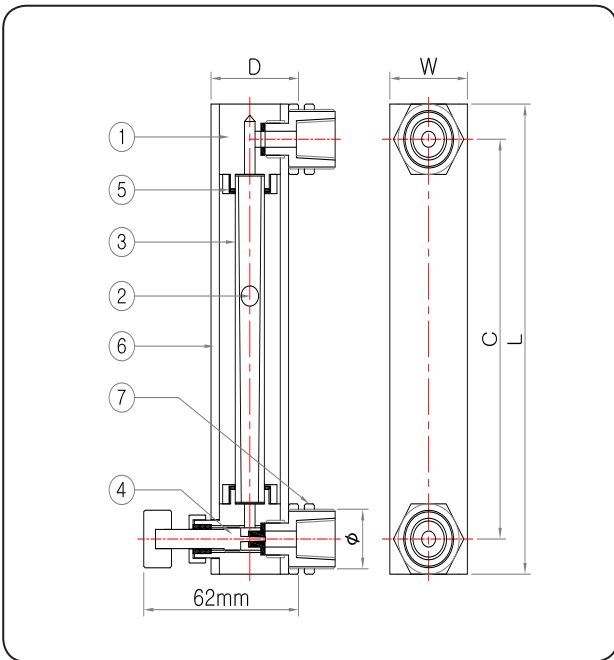
## PA-40 Series General Specifications

Size	1/4"
Process Connection	PT, NPT (Female)
Flow Ranges	Water - 0.12 L/h ~ 10 L/h Air - 1 NL/h ~ 120 NL/h
Range Ability	10 : 1
Accuracy	±2.0 % F.S
Fluid Temperature	Max. 120 °C
Max. Pressure	Max. 10 kgf/cm2.G

## MODEL CODE

PA-40	-	□	Specification
	A		Alarm switch

## STRUCTURAL DRAWING



## DIMENSIONS

치수 (mm)				
L	C	W	D	Ø
155	125	36	32	19

## STANDARD MATERIAL

No.	Description	Material	
		A	B
1	Body	304SS	316SS
2	Float	PVC PTFE FPM	316SS
3	Taper tube	PYREX GLASS	
4	Needle Valve	304SS	316SS
5	Packing	NBR, PTFE	
6	Cover	ACRYL	
7	Mounting Nut	BRASS	

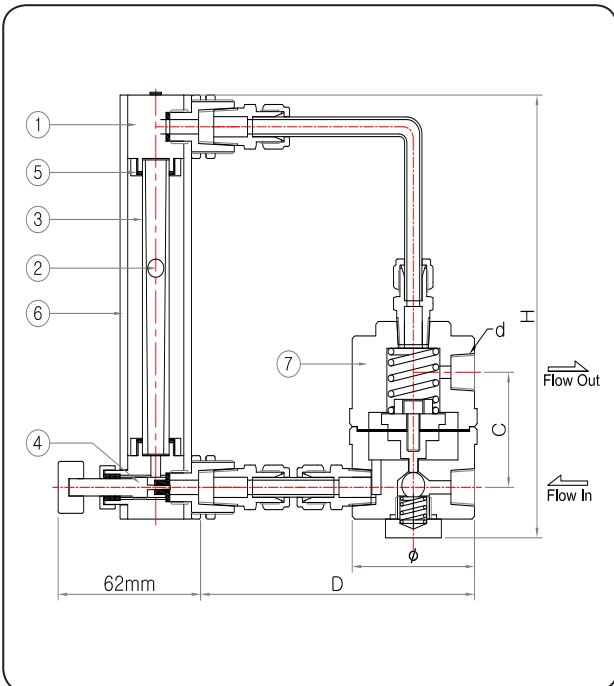
## FLOW RANGES

구분	규격	Water		Air	
		cc/min	L/h	Ncc/min	NL/h
표준 사양	PT 1/4	2 - 20	0.12 - 1.2	20 - 200	1 - 10
		3 - 30	0.2 - 2	30 - 300	2 - 20
		5 - 50	0.3 - 3	50 - 500	3 - 30
		8 - 80	0.5 - 5	80 - 800	5 - 50
		10 - 100	0.6 - 6	150 - 1500	10 - 100
특수 사양	최소	2 - 20	0.1 - 1	10 - 100	0.6 - 6
	최대	10 - 100	1 - 10	160 - 1600	12 - 120

## PA-50 Series General Specifications

Size	1/4" ~ 1"
Process Connection	PT, NPT
Measured Fluid	Gas and Liquid
Range Ability	10 : 1
Accuracy	±2.0 % F.S
Fluid Temperature	Max. 120 °C

## STRUCTURAL DRAWING



## STANDARD MATERIAL

No.	Description	Material	
		A	B
1	Body	304SS	316SS(L)
2	Float	304SS, AGATE	316SS(L)
3	taper tube	PYERX GLASS	
4	Needle valve	304SS	316SS(L)
5	Packing	NBR, PTFE	
6	Cover	ACRYL	
7	Diaphragm	304SS	316SS(L)

## DIMENSIONS

Dia	Code	H	C	D	Ø	d
	8A	155	125	36	19	PT1/4B
	15A	240	200	40	25	PT1/2B
	20A	290	240	49	34	PT3/4B

## ■ NPA-50 Series General Specifications

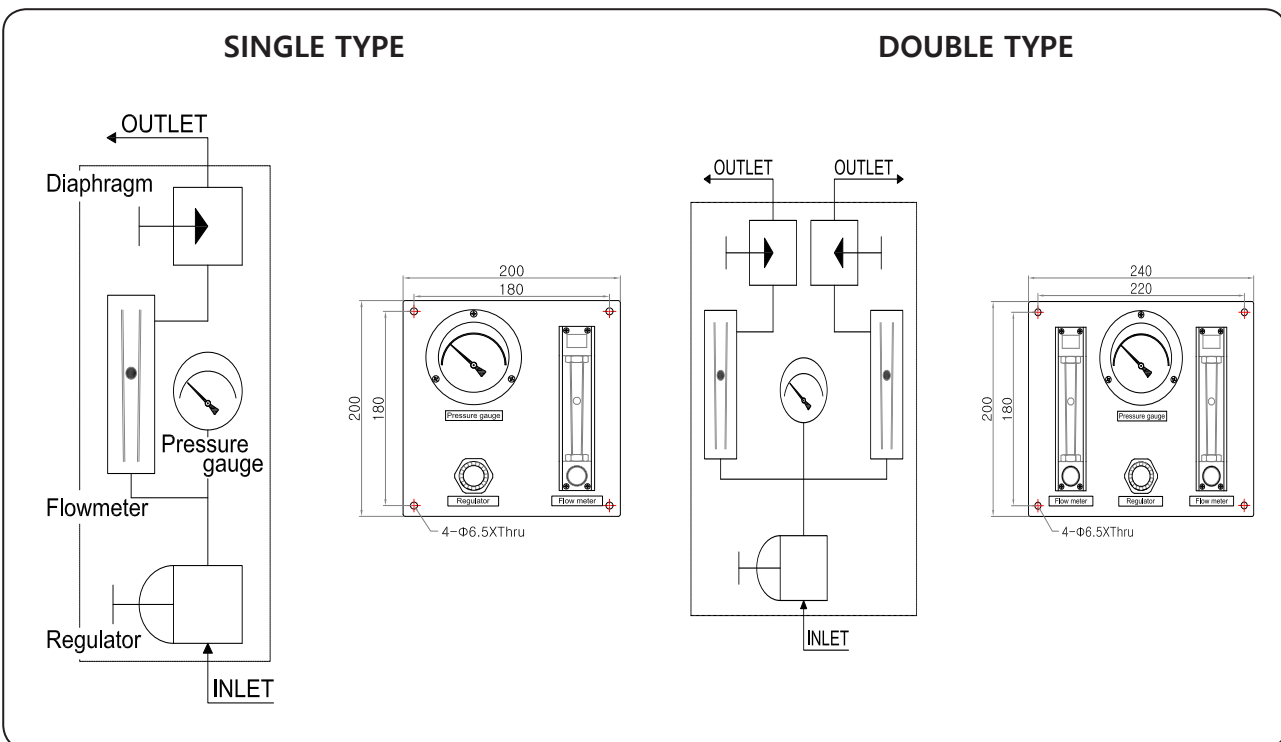
Size	1/4" ~ 1/2"
Process Connection	PT , NPT (Female)
Measured Fluid	Gas and Liquid
Range Ability	10 : 1
Accuracy	±2.0 % F.S
Fluid Temperature	Max. 120 °C

## ■ MODEL CODE

N P A - 5 0	-	□	Specification
		1	Single Flowmeter
		2	Double Flowmeter

√ 표준 유량 값은 당사 PA-40 유량을 기준으로 제작.

## ■ STRUCTURAL DRAWING



## PA-70 Series General Specifications

Size	1/4" ~ 1/2"
Process Connection	PT, NPT (Female)
Measured Fluid	Gas and Liquid
Range Ability	10 : 1
Accuracy	±2.0 % F.S
Fluid Temperature	Max. 120 °C

## MODEL CODE

PA-20	-	□	-	□	Specification
		2 ~ 6			유량 분배 수
				S	304SS or 316SS
				P	PVC

## STANDARD MATERIAL

No.	Description	Material		
		A	B	C
1	Body	BRASS	304SS	PVC
2	Float	304SS	PVC PTFE	316LSS
3	Taper tube	PYREX GLASS		
4	Needle Valve	BRASS	304SS	316SS
5	Packing	NBR, FPM, PTFE		
6	Cover	ACRYL		
7	Mounting shaft bar	BRASS	304SS	316SS
8	Guide bar	304SS	316SS	PTFE LINER

## DIMENSIONS

분배 수 / 기호	A	B	C	D
2	36	41	36	41
3	36	23	72	59
4	36	23	108	77
5	36	23	144	95
6	36	23	180	113

## STRUCTURAL DRAWING

